



# NUTORK®

## Actuators & Valves

### NS系列铝合金拨叉式气动执行器

### NS Series Scotch Yoke Type Pneumatic Actuator



#### 温度范围 Temperature Range:

标准型:  $-20^{\circ}\text{C}$  to  $+80^{\circ}\text{C}$  /  $-5^{\circ}\text{F}$  to  $+175^{\circ}\text{F}$   
低温型:  $-40^{\circ}\text{C}$  to  $+60^{\circ}\text{C}$  /  $-40^{\circ}\text{F}$  to  $+140^{\circ}\text{F}$   
高温型:  $0^{\circ}\text{C}$  to  $+150^{\circ}\text{C}$  /  $+30^{\circ}\text{F}$  to  $+300^{\circ}\text{F}$

#### NS系列铝合金气动执行器符合以下规范

NS Series S&Y Type Actuators

Meet Standards:

配件连接: VDI/VDE 3845(NAMUR)

阀门连接: ISO 5211, DIN 3337 and NAMUR

NS系列铝合金气动执行器有CE认证.

符合PED, ATEX and SIL3认证

NS Series S&Y Type Actuators are  
CE-marked:

According to PED, ATEX and SIL3

#### 压力范围 Pressure Ranges:

2-10 bar / 30-145 psi

#### 额外的防腐保护 Extra Corrosion Protection:

标准型: 缸体硬质氧化处理

可选:

环氧树脂烤漆;

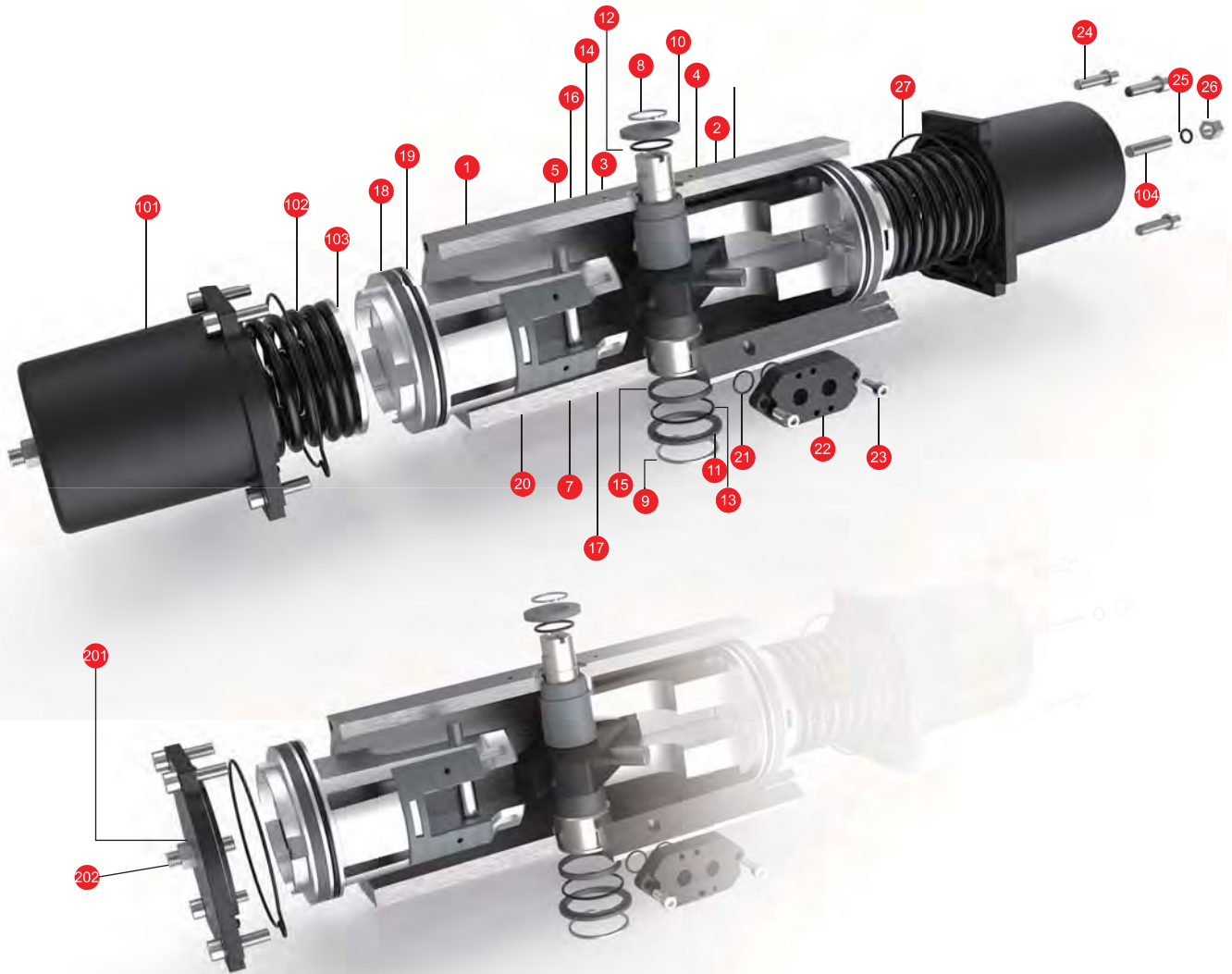
海洋防腐喷涂(ISO12944-C5M)或其他符合客户要求  
的涂层;

不锈钢螺栓和转动轴;

#### 工作介质 Operating Medium:

空气, 惰性气体 (非危险性流体, group 2, 按照PED  
97/23/EC指令)

也适用于水或是液压油: 2-10 bar / 30-145 psi



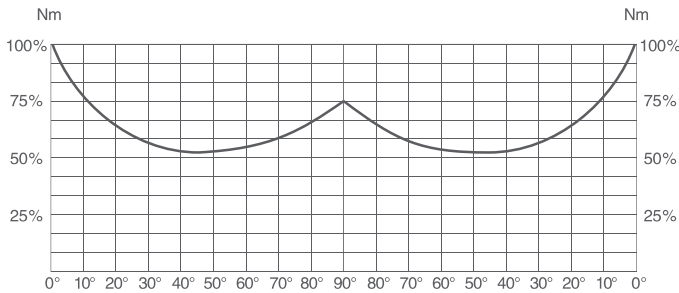
### 零部件表 Part List

| 序号 | 零部件名称 | 材质       | 序号  | 零部件名称   | 材质   |
|----|-------|----------|-----|---------|------|
| 1  | 缸体    | 铝合金      | 18  | 活塞导向环   | 工程塑料 |
| 2  | 活塞    | 铝合金      | 19  | 活塞密封圈   | NBR  |
| 3  | 转动轴   | 合金钢      | 20  | 活塞导向片   | 工程塑料 |
| 4  | 拨叉    | 合金钢      | 21  | 连接块密封圈  | NBR  |
| 5  | 活塞销   | 合金钢      | 22  | 连接块密封圈  | 铝合金  |
| 6  | 拨叉销   | 合金钢      | 23  | 连接块紧固螺栓 | 不锈钢  |
| 7  | 滚珠    | 合金钢      | 24  | 端盖紧固螺栓  | 不锈钢  |
| 8  | 上卡簧   | 不锈钢      | 25  | 密封螺母密封圈 | NBR  |
| 9  | 下卡簧   | 不锈钢      | 26  | 密封螺母    | 不锈钢  |
| 10 | 上垫片   | 工程塑料     | 27  | 端盖密封圈   | NBR  |
| 11 | 下垫片   | 工程塑料     | 101 | 单作用端盖   | 铝合金  |
| 12 | 上轴密封圈 | NBR      | 102 | 弹簧      | 弹簧钢  |
| 13 | 下轴密封圈 | NBR      | 103 | 弹簧座     | 铝合金  |
| 14 | 上轴套   | 聚甲醛/石墨铜套 | 104 | 弹簧轴     | 不锈钢  |
| 15 | 下轴套   | 聚甲醛/石墨铜套 | 201 | 双作用端盖   | 铝合金  |
| 16 | 上滚套   | 工程塑料     | 202 | 限位螺栓    | 不锈钢  |
| 17 | 下滚套   | 工程塑料     |     |         |      |

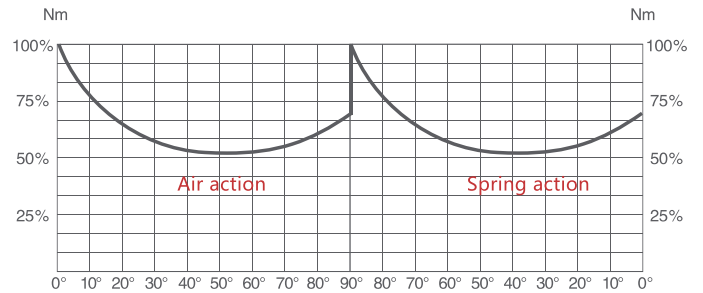
### 技术参数 Technical Data

| Model                      | NS40   | NS60   |        | NS70   |        | NS80   |        | NS90   |        | NS100  |        | NS125  |        |
|----------------------------|--------|--------|--------|--------|--------|--------|--------|--------|--------|--------|--------|--------|--------|
| Acting Type                | Double | Double | Single | Double | Single | Double | Single | Double | Single | Double | Single | Double | Single |
| Weight (Kg)                | 1.00   | 1.50   | 2.10   | 2.70   | 4.10   | 3.80   | 5.90   | 6.80   | 8.90   | 7.50   | 12.30  | 12.05  | 20.80  |
| Air Consumption (NL/Cycle) | 0.19   | 0.47   | 0.28   | 0.93   | 0.60   | 1.50   | 0.95   | 2.36   | 1.44   | 3.26   | 1.97   | 5.83   | 3.41   |
| Closing Time (Sec.)        | <0.25  | <0.25  | <0.3   | <0.35  | <0.4   | <0.45  | <0.55  | <0.60  | <0.65  | <1.0   | <1.05  | <1.7   | <1.80  |

| Model                           | NS140  |        | NS160  |        | NS180  |        | NS220  |        | NS260  |        |
|---------------------------------|--------|--------|--------|--------|--------|--------|--------|--------|--------|--------|
| Acting Type                     | Double | Single | Double | Single | Double | Single | Double | Single | Double | Single |
| Weight (Kg)                     | 20.05  | 32.10  | 27.70  | 47.60  | 37.45  | 60.10  | 65.50  | 108.70 | 114.0  | 211.90 |
| Air Consumption (NL/Cycle)@6bar | 7.50   | 4.51   | 11.1   | 6.49   | 16.58  | 10.22  | 29.80  | 17.60  | 62.10  | 36.40  |
| Closing Time @6bar(Sec.)        | <2.2   | <2.5   | <3.4   | <4.41  | <4.3   | <9.6   | <4.3   | <4.92  | <7.0   | <9.82  |



Double Acting Type



Spring Return Type

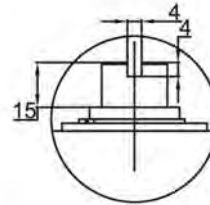
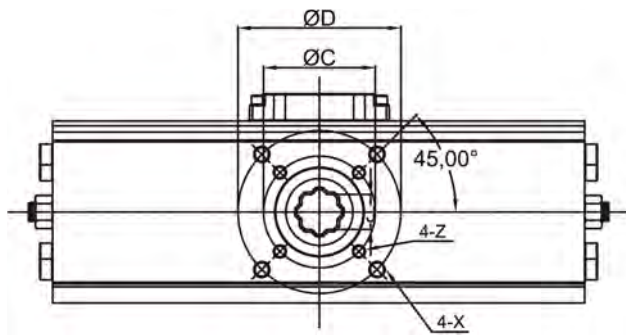
### 双作用气缸输出扭矩 Double Acting Actuator Output Torque

Torque:Nm

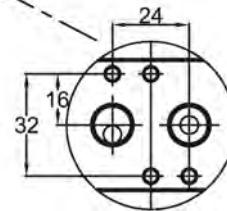
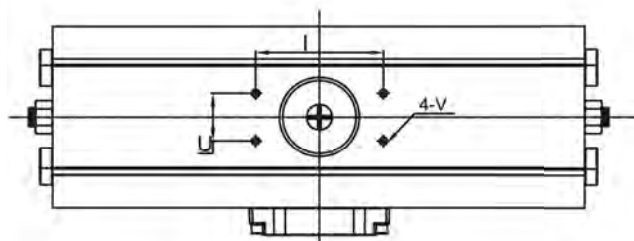
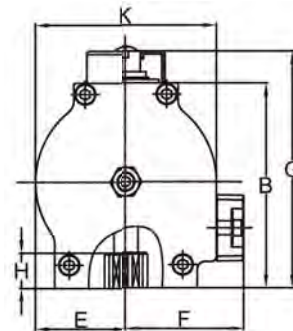
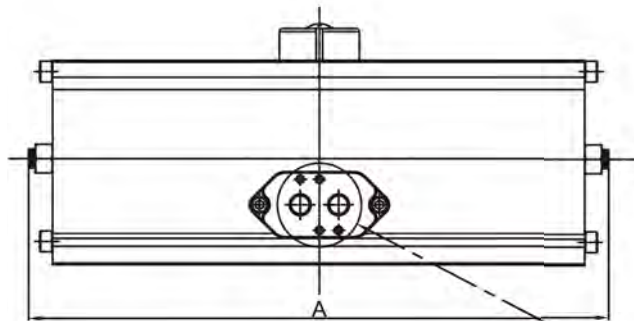
| 气源压力   | 3bar |      |      | 4bar |      |      | 5bar |      |      | 5.6bar |      |      | 6bar  |      |      | 7bar  |      |      | 8bar  |      |       |
|--------|------|------|------|------|------|------|------|------|------|--------|------|------|-------|------|------|-------|------|------|-------|------|-------|
| 产品型号   | 0°   | 49°  | 90°  | 0°   | 49°  | 90°  | 0°   | 49°  | 90°  | 0°     | 49°  | 90°  | 0°    | 49°  | 90°  | 0°    | 49°  | 90°  | 0°    | 49°  | 90°   |
| NSD40  | 15   | 8    | 12   | 20   | 10   | 16   | 25   | 13   | 20   | 28     | 14   | 22   | 30    | 15   | 24   | 35    | 18   | 28   | 40    | 20   | 32    |
| NSD60  | 43   | 21   | 34   | 57   | 28   | 46   | 71   | 35   | 57   | 78     | 39   | 63   | 85    | 42   | 68   | 99    | 50   | 80   | 113   | 57   | 91    |
| NSD70  | 87   | 44   | 70   | 116  | 58   | 94   | 146  | 73   | 117  | 160    | 80   | 129  | 175   | 86   | 140  | 204   | 102  | 164  | 233   | 117  | 187   |
| NSD80  | 140  | 76   | 119  | 187  | 101  | 158  | 233  | 126  | 198  | 257    | 139  | 218  | 280   | 149  | 238  | 327   | 176  | 277  | 373   | 202  | 317   |
| NSD90  | 204  | 110  | 180  | 272  | 147  | 239  | 340  | 184  | 299  | 374    | 202  | 329  | 408   | 216  | 359  | 476   | 257  | 419  | 544   | 294  | 479   |
| NSD100 | 276  | 152  | 244  | 367  | 204  | 325  | 459  | 253  | 406  | 505    | 278  | 447  | 551   | 298  | 488  | 643   | 354  | 569  | 735   | 404  | 650   |
| NSD125 | 521  | 277  | 425  | 695  | 369  | 567  | 869  | 461  | 709  | 956    | 508  | 780  | 1066  | 555  | 870  | 1216  | 646  | 992  | 1391  | 738  | 1135  |
| NSD140 | 701  | 365  | 581  | 936  | 486  | 775  | 1170 | 608  | 969  | 1286   | 669  | 1066 | 1404  | 730  | 1163 | 1637  | 851  | 1356 | 1871  | 973  | 1550  |
| NSD160 | 1062 | 541  | 859  | 1415 | 722  | 1146 | 1769 | 902  | 1432 | 1947   | 993  | 1576 | 2123  | 1083 | 1719 | 2477  | 1264 | 2005 | 2831  | 1444 | 2292  |
| NSD180 | 1462 | 774  | 1093 | 1949 | 1032 | 1457 | 2436 | 1290 | 1822 | 2681   | 1419 | 2004 | 2924  | 1548 | 2186 | 3411  | 1806 | 2551 | 3898  | 2064 | 2915  |
| NSD220 | 2703 | 1403 | 2168 | 3604 | 1870 | 2890 | 4505 | 2338 | 3613 | 4956   | 2571 | 3974 | 5406  | 2805 | 4335 | 6307  | 3273 | 4293 | 7208  | 3740 | 5780  |
| NSD260 | 5333 | 2796 | 4051 | 7111 | 3728 | 5402 | 8889 | 4660 | 6752 | 9778   | 5126 | 7427 | 10667 | 5592 | 8103 | 12444 | 6524 | 9453 | 14222 | 7456 | 10803 |

| 型号     | 弹簧包 | 弹簧数量 | 弹簧扭矩 Nm |     |     | 气源输出扭矩 (Nm)     |     |     |                 |     |     |                 |     |     |                 |     |     |                 |     |     |                 |     |     |                  |     |     |                  |     |     |  |  |  |
|--------|-----|------|---------|-----|-----|-----------------|-----|-----|-----------------|-----|-----|-----------------|-----|-----|-----------------|-----|-----|-----------------|-----|-----|-----------------|-----|-----|------------------|-----|-----|------------------|-----|-----|--|--|--|
|        |     |      |         |     |     | 2.5 bar / 36psi |     |     | 3.0 bar / 44psi |     |     | 4.0 bar / 58psi |     |     | 5.0 bar / 73psi |     |     | 5.5 bar / 80psi |     |     | 6.0 bar / 87psi |     |     | 7.0 bar / 102psi |     |     | 8.0 bar / 116psi |     |     |  |  |  |
|        |     |      | 0°      | 45° | 90° | 0°              | 45° | 90° | 0°              | 45° | 90° | 0°              | 45° | 90° | 0°              | 45° | 90° | 0°              | 45° | 90° | 0°              | 45° | 90° | 0°               | 45° | 90° | 0°               | 45° | 90° |  |  |  |
| NSS60  | K11 | 2    | 14      | 10  | 19  | 19              | 8   | 10  | 26              | 12  | 15  | 38              | 19  | 26  |                 |     |     |                 |     |     |                 |     |     |                  |     |     |                  |     |     |  |  |  |
|        | K12 | 2    | 18      | 13  | 25  |                 |     |     | 22              | 9   | 10  | 34              | 16  | 21  | 47              | 23  | 32  |                 |     |     |                 |     |     |                  |     |     |                  |     |     |  |  |  |
|        | K22 | 2    | 22      | 16  | 31  |                 |     |     |                 |     |     | 30              | 13  | 15  | 43              | 20  | 26  | 49              | 23  | 32  |                 |     |     |                  |     |     |                  |     |     |  |  |  |
|        | K13 | 3    | 25      | 18  | 34  |                 |     |     |                 |     |     |                 |     |     | 41              | 18  | 23  | 47              | 22  | 29  | 53              | 25  | 34  |                  |     |     |                  |     |     |  |  |  |
|        | K23 | 3    | 29      | 21  | 40  |                 |     |     |                 |     |     |                 |     |     |                 |     |     | 43              | 19  | 23  | 50              | 22  | 29  | 62               | 29  | 40  |                  |     |     |  |  |  |
|        | K33 | 4    | 36      | 26  | 50  |                 |     |     |                 |     |     |                 |     |     |                 |     |     |                 |     |     | 43              | 18  | 20  | 56               | 25  | 31  | 69               | 32  | 42  |  |  |  |
| NSS70  | K11 | 2    | 26      | 18  | 36  | 38              | 16  | 19  | 50              | 23  | 30  | 74              | 36  | 51  |                 |     |     |                 |     |     |                 |     |     |                  |     |     |                  |     |     |  |  |  |
|        | K12 | 2    | 34      | 24  | 47  |                 |     |     | 43              | 18  | 19  | 67              | 31  | 41  | 91              | 44  | 62  |                 |     |     |                 |     |     |                  |     |     |                  |     |     |  |  |  |
|        | K22 | 2    | 42      | 30  | 59  |                 |     |     |                 |     |     | 60              | 26  | 30  | 84              | 39  | 51  | 96              | 45  | 62  |                 |     |     |                  |     |     |                  |     |     |  |  |  |
|        | K13 | 3    | 47      | 34  | 65  |                 |     |     |                 |     |     |                 |     |     | 80              | 36  | 45  | 92              | 42  | 56  | 104             | 49  | 66  |                  |     |     |                  |     |     |  |  |  |
|        | K23 | 3    | 55      | 39  | 77  |                 |     |     |                 |     |     |                 |     |     |                 |     |     | 85              | 37  | 45  | 97              | 44  | 56  | 121              | 57  | 77  |                  |     |     |  |  |  |
|        | K33 | 4    | 68      | 49  | 95  |                 |     |     |                 |     |     |                 |     |     |                 |     |     |                 |     |     | 85              | 35  | 39  | 110              | 49  | 60  | 134              | 62  | 82  |  |  |  |
| NSS80  | K11 | 2    | 42      | 29  | 56  | 60              | 27  | 33  | 80              | 37  | 50  | 119             | 59  | 84  |                 |     |     |                 |     |     |                 |     |     |                  |     |     |                  |     |     |  |  |  |
|        | K12 | 2    | 57      | 39  | 74  |                 |     |     | 67              | 29  | 33  | 106             | 50  | 68  | 146             | 71  | 102 |                 |     |     |                 |     |     |                  |     |     |                  |     |     |  |  |  |
|        | K22 | 2    | 71      | 49  | 92  |                 |     |     |                 |     |     | 93              | 41  | 51  | 133             | 63  | 85  | 152             | 73  | 103 |                 |     |     |                  |     |     |                  |     |     |  |  |  |
|        | K13 | 3    | 78      | 54  | 103 |                 |     |     |                 |     |     |                 |     |     | 127             | 58  | 76  | 146             | 69  | 93  | 166             | 79  | 110 |                  |     |     |                  |     |     |  |  |  |
|        | K23 | 3    | 92      | 63  | 120 |                 |     |     |                 |     |     |                 |     |     |                 |     |     | 133             | 60  | 76  | 156             | 71  | 98  | 192              | 92  | 128 |                  |     |     |  |  |  |
|        | K33 | 4    | 114     | 78  | 149 |                 |     |     |                 |     |     |                 |     |     |                 |     |     |                 |     |     | 134             | 57  | 67  | 173              | 79  | 101 | 213              | 100 | 135 |  |  |  |
| NSS90  | K11 | 2    | 68      | 48  | 91  | 85              | 36  | 42  | 114             | 52  | 68  | 173             | 84  | 119 |                 |     |     |                 |     |     |                 |     |     |                  |     |     |                  |     |     |  |  |  |
|        | K12 | 2    | 87      | 61  | 117 |                 |     |     | 98              | 40  | 44  | 156             | 72  | 95  | 215             | 104 | 146 |                 |     |     |                 |     |     |                  |     |     |                  |     |     |  |  |  |
|        | K22 | 2    | 105     | 74  | 142 |                 |     |     |                 |     |     | 140             | 60  | 71  | 198             | 92  | 122 | 228             | 108 | 148 |                 |     |     |                  |     |     |                  |     |     |  |  |  |
|        | K13 | 3    | 121     | 85  | 162 |                 |     |     |                 |     |     |                 |     |     | 184             | 82  | 104 | 213             | 98  | 129 | 243             | 114 | 155 |                  |     |     |                  |     |     |  |  |  |
|        | K23 | 3    | 140     | 98  | 188 |                 |     |     |                 |     |     |                 |     |     |                 |     |     | 197             | 86  | 105 | 226             | 102 | 131 | 285              | 134 | 182 |                  |     |     |  |  |  |
|        | K33 | 4    | 174     | 122 | 234 |                 |     |     |                 |     |     |                 |     |     |                 |     |     |                 |     |     | 195             | 80  | 88  | 254              | 112 | 139 | 313              | 144 | 190 |  |  |  |
| NSS100 | K11 | 2    | 92      | 64  | 122 | 132             | 59  | 74  | 176             | 82  | 111 | 262             | 129 | 187 |                 |     |     |                 |     |     |                 |     |     |                  |     |     |                  |     |     |  |  |  |
|        | K12 | 2    | 122     | 85  | 162 |                 |     |     | 149             | 63  | 74  | 235             | 110 | 149 | 321             | 157 | 225 |                 |     |     |                 |     |     |                  |     |     |                  |     |     |  |  |  |
|        | K22 | 2    | 152     | 106 | 202 |                 |     |     |                 |     |     | 208             | 91  | 112 | 294             | 138 | 187 | 337             | 162 | 225 |                 |     |     |                  |     |     |                  |     |     |  |  |  |
|        | K13 | 3    | 168     | 117 | 223 |                 |     |     |                 |     |     |                 |     |     | 280             | 128 | 167 | 323             | 151 | 205 | 366             | 175 | 243 |                  |     |     |                  |     |     |  |  |  |
|        | K23 | 3    | 198     | 137 | 263 |                 |     |     |                 |     |     |                 |     |     |                 |     |     | 296             | 132 | 168 | 339             | 156 | 205 | 425              | 203 | 281 |                  |     |     |  |  |  |
|        | K33 | 4    | 244     | 169 | 324 |                 |     |     |                 |     |     |                 |     |     |                 |     |     |                 |     |     | 297             | 127 | 148 | 383              | 174 | 223 | 470              | 220 | 299 |  |  |  |
| NSS125 | K11 | 2    | 158     | 109 | 209 | 227             | 101 | 126 | 301             | 141 | 190 | 448             | 221 | 319 |                 |     |     |                 |     |     |                 |     |     |                  |     |     |                  |     |     |  |  |  |
|        | K12 | 2    | 208     | 144 | 275 |                 |     |     | 256             | 109 | 129 | 403             | 190 | 257 | 551             | 270 | 386 |                 |     |     |                 |     |     |                  |     |     |                  |     |     |  |  |  |
|        | K22 | 2    | 257     | 178 | 341 |                 |     |     |                 |     |     | 358             | 158 | 195 | 506             | 238 | 324 | 580             | 278 | 389 |                 |     |     |                  |     |     |                  |     |     |  |  |  |
|        | K13 | 3    | 286     | 199 | 379 |                 |     |     |                 |     |     |                 |     |     | 480             | 220 | 288 | 554             | 260 | 352 | 627             | 300 | 417 |                  |     |     |                  |     |     |  |  |  |
|        | K23 | 3    | 336     | 233 | 445 |                 |     |     |                 |     |     |                 |     |     |                 |     |     | 509             | 229 | 291 | 583             | 269 | 355 | 730              | 349 | 484 |                  |     |     |  |  |  |
|        | K33 | 4    | 415     | 288 | 550 |                 |     |     |                 |     |     |                 |     |     |                 |     |     |                 |     |     | 511             | 219 | 257 | 659              | 299 | 386 | 807              | 379 | 515 |  |  |  |

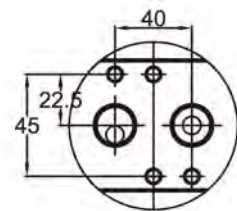
| 型号     | 弹簧包 | 弹簧数量 | 弹簧扭矩<br>Nm |      |      | 气源输出扭矩 (Nm)     |      |      |                 |      |      |                 |      |      |                 |      |      |                 |      |      |                 |      |      |                  |      |      |                  |      |      |  |  |  |  |  |  |  |  |  |
|--------|-----|------|------------|------|------|-----------------|------|------|-----------------|------|------|-----------------|------|------|-----------------|------|------|-----------------|------|------|-----------------|------|------|------------------|------|------|------------------|------|------|--|--|--|--|--|--|--|--|--|
|        |     |      |            |      |      | 2.5 bar / 36psi |      |      | 3.0 bar / 44psi |      |      | 4.0 bar / 58psi |      |      | 5.0 bar / 73psi |      |      | 5.5 bar / 80psi |      |      | 6.0 bar / 87psi |      |      | 7.0 bar / 102psi |      |      | 8.0 bar / 116psi |      |      |  |  |  |  |  |  |  |  |  |
|        |     |      | 0°         | 45°  | 90°  | 0°              | 45°  | 90°  | 0°              | 45°  | 90°  | 0°              | 45°  | 90°  | 0°              | 45°  | 90°  | 0°              | 45°  | 90°  | 0°              | 45°  | 90°  | 0°               | 45°  | 90°  | 0°               | 45°  | 90°  |  |  |  |  |  |  |  |  |  |
| NSS140 | K11 | 2    | 214        | 148  | 281  | 298             | 132  | 165  | 397             | 186  | 251  | 594             | 293  | 423  |                 |      |      |                 |      |      |                 |      |      |                  |      |      |                  |      |      |  |  |  |  |  |  |  |  |  |
|        | K12 | 2    | 275        | 190  | 362  |                 |      |      | 342             | 147  | 176  | 538             | 254  | 347  | 735             | 361  | 519  |                 |      |      |                 |      |      |                  |      |      |                  |      |      |  |  |  |  |  |  |  |  |  |
|        | K22 | 2    | 337        | 232  | 442  |                 |      |      |                 |      |      | 483             | 216  | 272  | 680             | 323  | 443  | 778             | 376  | 529  |                 |      |      |                  |      |      |                  |      |      |  |  |  |  |  |  |  |  |  |
|        | K13 | 3    | 383        | 264  | 502  |                 |      |      |                 |      |      |                 |      |      | 638             | 294  | 387  | 737             | 347  | 473  | 835             | 401  | 558  |                  |      |      |                  |      |      |  |  |  |  |  |  |  |  |  |
|        | K23 | 3    | 444        | 306  | 583  |                 |      |      |                 |      |      |                 |      |      |                 |      |      | 682             | 309  | 397  | 780             | 362  | 483  | 977              | 469  | 655  |                  |      |      |  |  |  |  |  |  |  |  |  |
|        | K33 | 4    | 551        | 380  | 723  |                 |      |      |                 |      |      |                 |      |      |                 |      |      |                 |      |      | 683             | 295  | 351  | 880              | 402  | 523  | 1077             | 509  | 694  |  |  |  |  |  |  |  |  |  |
| NSS160 | K11 | 2    | 323        | 223  | 425  | 452             | 201  | 250  | 601             | 281  | 380  | 899             | 443  | 639  |                 |      |      |                 |      |      |                 |      |      |                  |      |      |                  |      |      |  |  |  |  |  |  |  |  |  |
|        | K12 | 2    | 408        | 282  | 536  |                 |      |      | 525             | 228  | 275  | 822             | 390  | 535  | 1120            | 551  | 794  |                 |      |      |                 |      |      |                  |      |      |                  |      |      |  |  |  |  |  |  |  |  |  |
|        | K22 | 2    | 493        | 340  | 648  |                 |      |      |                 |      |      | 746             | 337  | 431  | 1043            | 498  | 690  | 1192            | 579  | 820  |                 |      |      |                  |      |      |                  |      |      |  |  |  |  |  |  |  |  |  |
|        | K13 | 3    | 569        | 393  | 749  |                 |      |      |                 |      |      |                 |      |      | 974             | 450  | 595  | 1123            | 530  | 725  | 1271            | 611  | 854  |                  |      |      |                  |      |      |  |  |  |  |  |  |  |  |  |
|        | K23 | 3    | 654        | 452  | 860  |                 |      |      |                 |      |      |                 |      |      |                 |      |      | 1046            | 477  | 620  | 1195            | 558  | 750  | 1492             | 720  | 1010 |                  |      |      |  |  |  |  |  |  |  |  |  |
|        | K33 | 4    | 816        | 563  | 1073 |                 |      |      |                 |      |      |                 |      |      |                 |      |      |                 |      |      | 1049            | 456  | 551  | 1347             | 618  | 810  | 1644             | 779  | 1070 |  |  |  |  |  |  |  |  |  |
| NSS180 | K11 | 2    | 408        | 305  | 593  | 630             | 279  | 348  | 837             | 392  | 529  | 1252            | 617  | 891  |                 |      |      |                 |      |      |                 |      |      |                  |      |      |                  |      |      |  |  |  |  |  |  |  |  |  |
|        | K12 | 2    | 524        | 392  | 763  |                 |      |      | 721             | 311  | 370  | 1137            | 536  | 732  | 1552            | 762  | 1094 |                 |      |      |                 |      |      |                  |      |      |                  |      |      |  |  |  |  |  |  |  |  |  |
|        | K22 | 2    | 639        | 479  | 933  |                 |      |      |                 |      |      | 1021            | 456  | 573  | 1436            | 681  | 935  | 1643            | 794  | 1116 |                 |      |      |                  |      |      |                  |      |      |  |  |  |  |  |  |  |  |  |
|        | K13 | 3    | 728        | 544  | 1060 |                 |      |      |                 |      |      |                 |      |      | 1348            | 620  | 816  | 1555            | 733  | 997  | 1763            | 845  | 1178 |                  |      |      |                  |      |      |  |  |  |  |  |  |  |  |  |
|        | K23 | 3    | 843        | 631  | 1230 |                 |      |      |                 |      |      |                 |      |      |                 |      |      | 1439            | 652  | 838  | 1647            | 764  | 1019 | 2062             | 990  | 1380 |                  |      |      |  |  |  |  |  |  |  |  |  |
|        | K33 | 4    | 1047       | 783  | 1526 |                 |      |      |                 |      |      |                 |      |      |                 |      |      |                 |      |      | 1443            | 622  | 740  | 1858             | 848  | 1102 | 2273             | 1073 | 1464 |  |  |  |  |  |  |  |  |  |
| NSS220 | K11 | 2    | 708        | 531  | 1035 | 1215            | 550  | 706  | 1599            | 759  | 1042 | 2369            | 1176 | 1712 |                 |      |      |                 |      |      |                 |      |      |                  |      |      |                  |      |      |  |  |  |  |  |  |  |  |  |
|        | K12 | 2    | 945        | 709  | 1383 |                 |      |      | 1363            | 593  | 715  | 2132            | 1010 | 1386 | 2901            | 1428 | 2057 |                 |      |      |                 |      |      |                  |      |      |                  |      |      |  |  |  |  |  |  |  |  |  |
|        | K22 | 2    | 1182       | 887  | 1732 |                 |      |      |                 |      |      | 1895            | 844  | 1060 | 2664            | 1262 | 1730 | 3049            | 1471 | 2066 |                 |      |      |                  |      |      |                  |      |      |  |  |  |  |  |  |  |  |  |
|        | K13 | 3    | 1299       | 974  | 1901 |                 |      |      |                 |      |      |                 |      |      | 2547            | 1181 | 1572 | 2932            | 1390 | 1907 | 3316            | 1599 | 2242 |                  |      |      |                  |      |      |  |  |  |  |  |  |  |  |  |
|        | K23 | 3    | 1536       | 1152 | 2249 |                 |      |      |                 |      |      |                 |      |      |                 |      |      | 2695            | 1224 | 1580 | 3080            | 1433 | 1916 | 3849             | 1850 | 2587 |                  |      |      |  |  |  |  |  |  |  |  |  |
|        | K33 | 4    | 1890       | 1417 | 2767 |                 |      |      |                 |      |      |                 |      |      |                 |      |      |                 |      |      | 2725            | 1185 | 1431 | 3495             | 1603 | 2101 | 4264             | 2021 | 2772 |  |  |  |  |  |  |  |  |  |
| NSS260 | K11 | 2    | 1187       | 1046 | 2235 | 2765            | 1171 | 1351 | 3555            | 1600 | 2040 | 5136            | 2459 | 3418 |                 |      |      |                 |      |      |                 |      |      |                  |      |      |                  |      |      |  |  |  |  |  |  |  |  |  |
|        | K12 | 2    | 1746       | 1406 | 2865 |                 |      |      | 2997            | 1265 | 1449 | 4578            | 2123 | 2827 | 6158            | 2981 | 4206 |                 |      |      |                 |      |      |                  |      |      |                  |      |      |  |  |  |  |  |  |  |  |  |
|        | K22 | 2    | 2304       | 1766 | 3496 |                 |      |      |                 |      |      | 4019            | 1787 | 2236 | 5600            | 2646 | 3615 | 6390            | 3075 | 4304 |                 |      |      |                  |      |      |                  |      |      |  |  |  |  |  |  |  |  |  |
|        | K13 | 3    | 2339       | 1929 | 3983 |                 |      |      |                 |      |      |                 |      |      | 5565            | 2494 | 3158 | 6355            | 2923 | 3847 | 7146            | 3352 | 4536 |                  |      |      |                  |      |      |  |  |  |  |  |  |  |  |  |
|        | K23 | 3    | 2898       | 2289 | 4613 |                 |      |      |                 |      |      |                 |      |      |                 |      |      | 5797            | 2588 | 3256 | 6587            | 3017 | 3945 | 8168             | 3875 | 5324 |                  |      |      |  |  |  |  |  |  |  |  |  |
|        | K33 | 4    | 3492       | 2812 | 5730 |                 |      |      |                 |      |      |                 |      |      |                 |      |      |                 |      |      | 5993            | 2529 | 2898 | 7574             | 3388 | 4276 | 9155             | 4246 | 5654 |  |  |  |  |  |  |  |  |  |



NAMUR



1/4" NAMUR

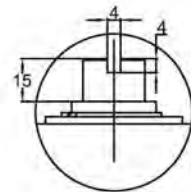
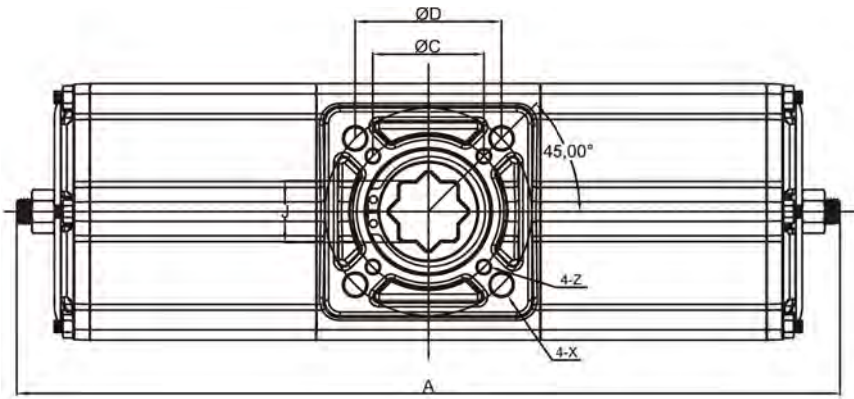


1/2" NAMUR

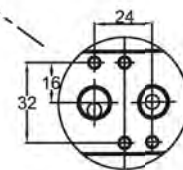
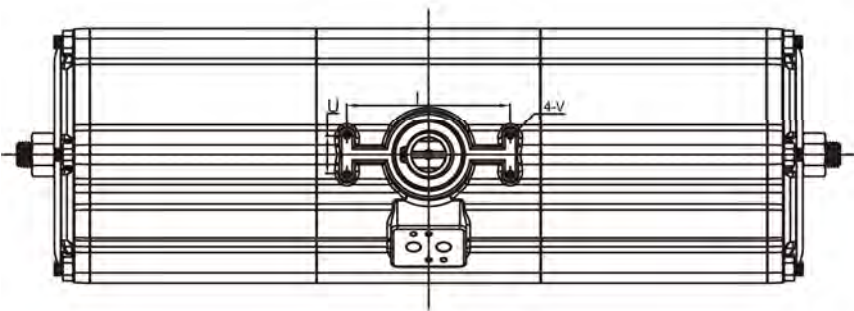
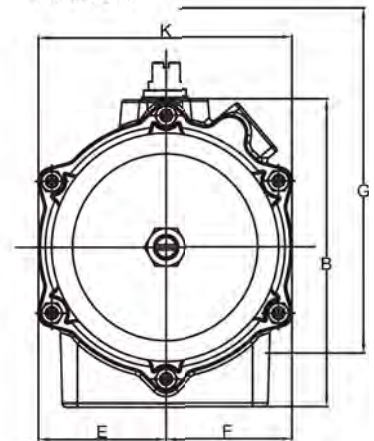
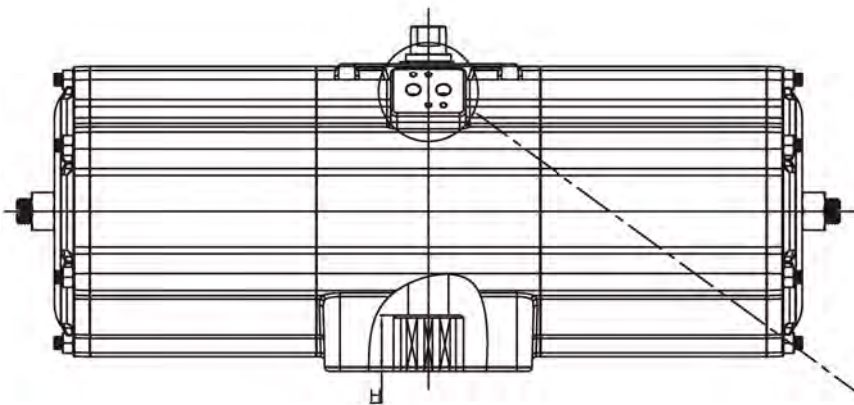
Unit: mm

| Model   | A   | B     | ØC   | ØD    | J  | E    | F    | G     | K   | H  | I  | U  | V    | Z     | X     | Air Conn. |
|---------|-----|-------|------|-------|----|------|------|-------|-----|----|----|----|------|-------|-------|-----------|
| NSD-40  | 184 | 66    | Ø50  | ----- | 11 | 25   | 44   | 86    | 52  | 16 | 80 | 30 | 4-M5 | 4-M5  | ----- | 1/4"G     |
| NSD-60  | 208 | 77    | Ø50  | ----- | 14 | 31.5 | 48.5 | 97    | 63  | 16 | 80 | 30 | 4-M5 | 4-M5  | ----- | 1/4"G     |
| NSD-70  | 271 | 91    | Ø50  | Ø70   | 17 | 39.5 | 56.5 | 110.9 | 79  | 18 | 80 | 30 | 4-M5 | 4-M6  | 4-M8  | 1/4"G     |
| NSD-80  | 295 | 108   | Ø50  | Ø70   | 17 | 45.5 | 62.5 | 128   | 91  | 22 | 80 | 30 | 4-M5 | 4-M6  | 4-M8  | 1/4"G     |
| NSD-90  | 341 | 119   | Ø70  | Ø102  | 22 | 52   | 68   | 139   | 103 | 26 | 80 | 30 | 4-M5 | 4-M8  | 4-M10 | 1/4"G     |
| NSD-100 | 389 | 128.5 | Ø70  | Ø102  | 22 | 57   | 74   | 148.5 | 114 | 26 | 80 | 30 | 4-M5 | 4-M8  | 4-M10 | 1/4"G     |
| NSD-125 | 445 | 156   | Ø102 | Ø125  | 27 | 69   | 86   | 186   | 138 | 30 | 80 | 30 | 4-M5 | 4-M10 | 4-M12 | 1/4"G     |
| NSD-140 | 520 | 190   | Ø125 | Ø165  | 36 | 81.5 | 75   | 220   | 154 | 40 | 80 | 30 | 4-M5 | 4-M12 | 4-M20 | 1/4"G     |
| NSD-160 | 575 | 213   | Ø125 | Ø165  | 46 | 85   | 90   | 243   | 175 | 46 | 80 | 30 | 4-M5 | 4-M12 | 4-M20 | 1/4"G     |

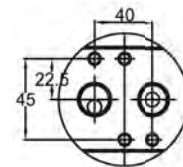




NAMUR



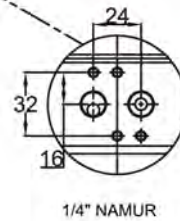
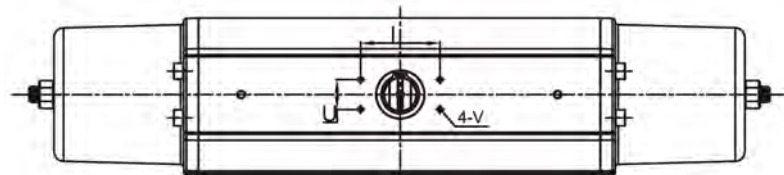
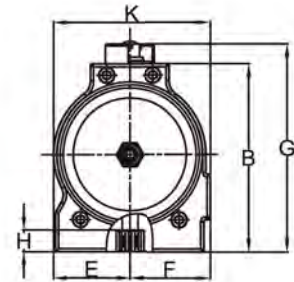
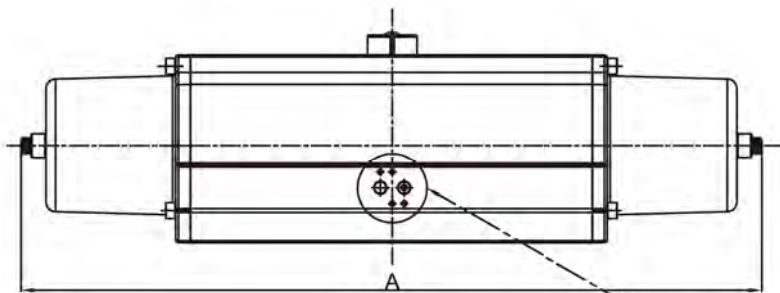
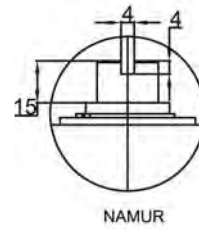
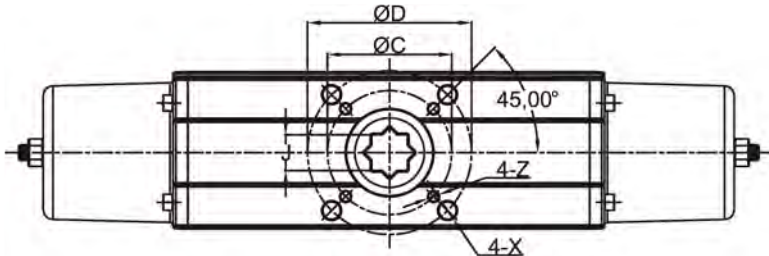
1/4" NAMUR



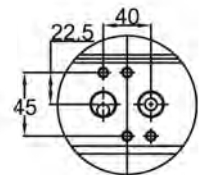
1/2" NAMUR

Unit: mm

| Model   | A   | B     | ØC    | ØD   | J  | E   | F     | G     | K   | H  | I   | U  | V    | Z     | X     | Air Conn. |
|---------|-----|-------|-------|------|----|-----|-------|-------|-----|----|-----|----|------|-------|-------|-----------|
| NSD-180 | 660 | 245   | Ø125  | Ø165 | 46 | 102 | 102   | 275   | 204 | 50 | 130 | 30 | 4-M5 | 4-M12 | 4-M20 | 1/4"G     |
| NSD-220 | 810 | 284.5 | ----- | Ø165 | 55 | 133 | 138.5 | 314.5 | 272 | 57 | 130 | 30 | 4-M5 | 4-M12 | 4-M20 | 1/2"G     |
| NSD-260 | 972 | 337.5 | ----- | Ø254 | 55 | 171 | 171   | 380   | 342 | 57 | 130 | 30 | 4-M5 | 4-M12 | 4-M20 | 1/2"G     |



1/4" NAMUR

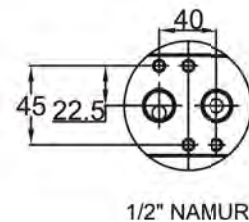
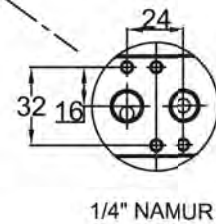
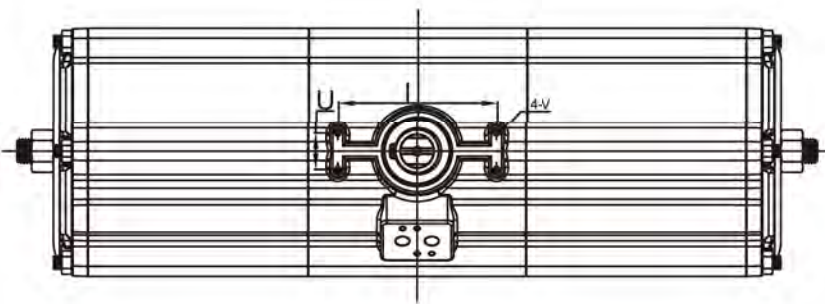
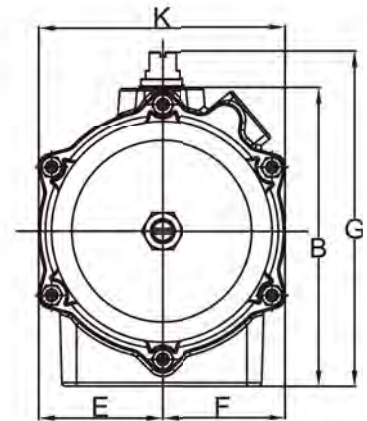
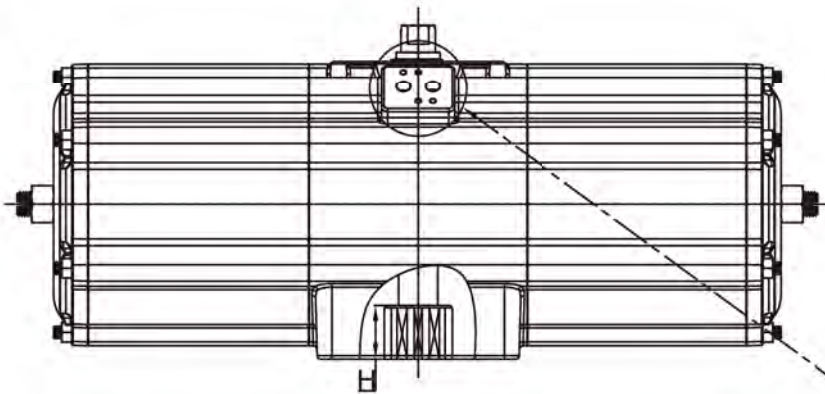
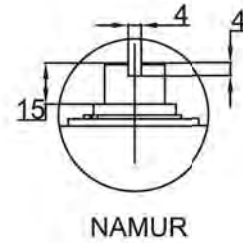
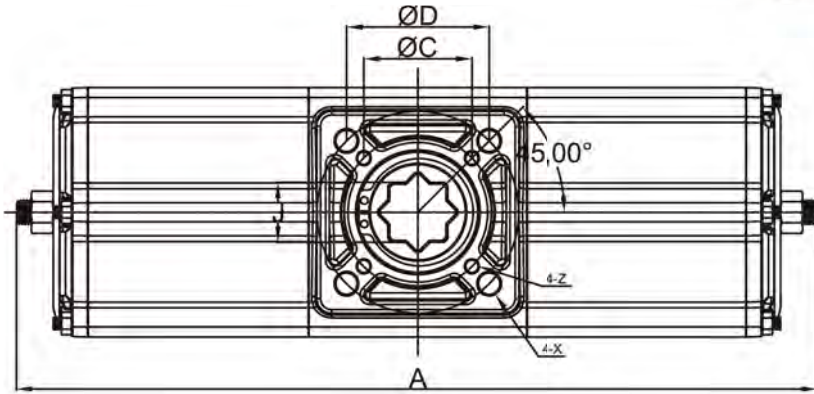


1/2" NAMUR

Unit: mm

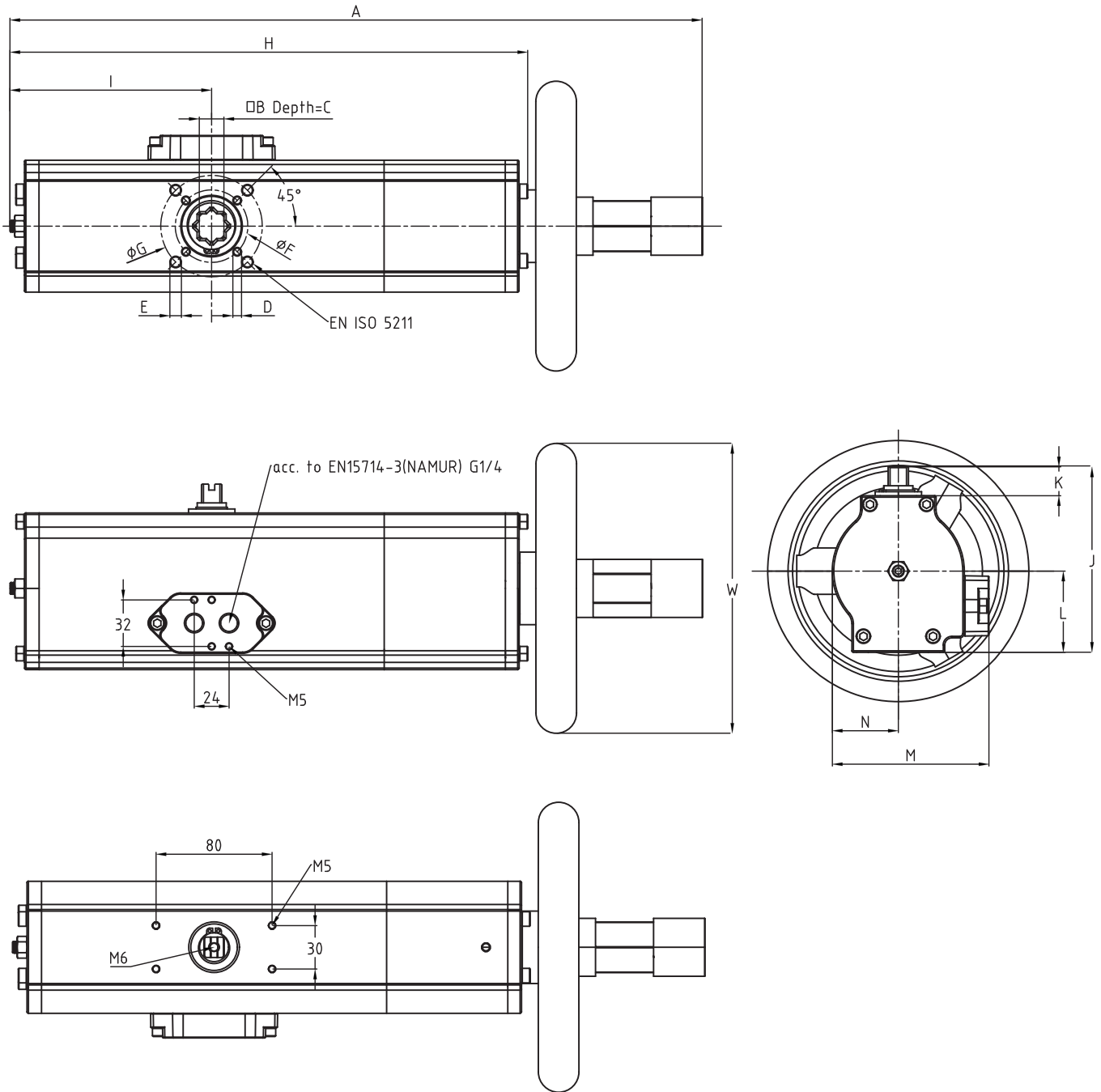
| Model   | A   | B     | ØC   | ØD    | J  | E    | F    | G     | K     | H  | I  | U  | V    | Z     | X     | Air Conn. |
|---------|-----|-------|------|-------|----|------|------|-------|-------|----|----|----|------|-------|-------|-----------|
| NSS-60  | 310 | 77    | Ø50  | ----- | 14 | 31.5 | 48.5 | 97    | 80    | 16 | 80 | 30 | 4-M5 | 4-M6  | ----- | 1/4" G    |
| NSS-70  | 390 | 91    | Ø50  | Ø70   | 17 | 39.5 | 56.5 | 111   | 96    | 18 | 80 | 30 | 4-M5 | 4-M6  | 4-M8  | 1/4" G    |
| NSS-80  | 438 | 108   | Ø50  | Ø70   | 17 | 45.5 | 62.5 | 128   | 108   | 22 | 80 | 30 | 4-M5 | 4-M6  | 4-M8  | 1/4" G    |
| NSS-90  | 497 | 119   | Ø70  | Ø102  | 22 | 52   | 68   | 139   | 103   | 26 | 80 | 30 | 4-M5 | 4-M8  | 4-M10 | 1/4" G    |
| NSS-100 | 577 | 128.5 | Ø70  | Ø102  | 22 | 57   | 74   | 148.5 | 131   | 26 | 80 | 30 | 4-M5 | 4-M8  | 4-M10 | 1/4" G    |
| NSS-125 | 711 | 156   | Ø102 | Ø125  | 27 | 69   | 86   | 186   | 155   | 30 | 80 | 30 | 4-M5 | 4-M10 | 4-M12 | 1/4" G    |
| NSS-140 | 757 | 190   | Ø125 | Ø165  | 36 | 75   | 81.5 | 220   | 156.5 | 40 | 80 | 30 | 4-M5 | 4-M12 | 4-M20 | 1/4" G    |
| NSS-160 | 880 | 213   | Ø125 | Ø165  | 46 | 85   | 90   | 243   | 175   | 46 | 80 | 30 | 4-M5 | 4-M12 | 4-M20 | 1/4" G    |





Unit: mm

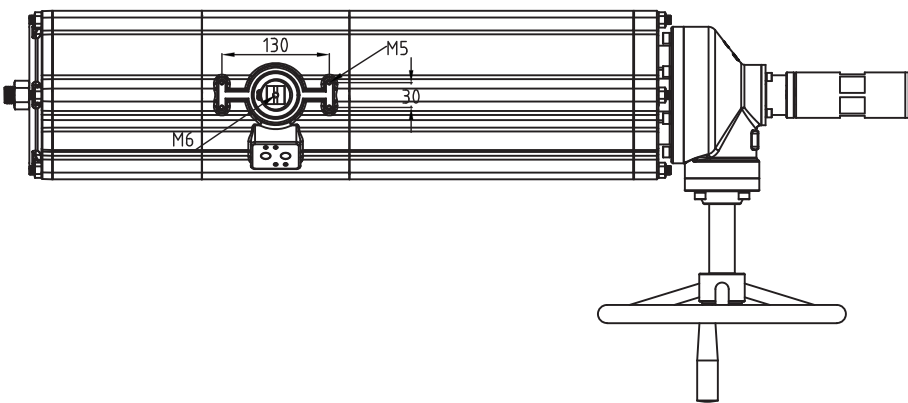
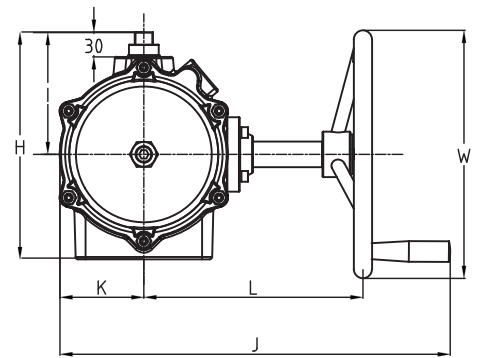
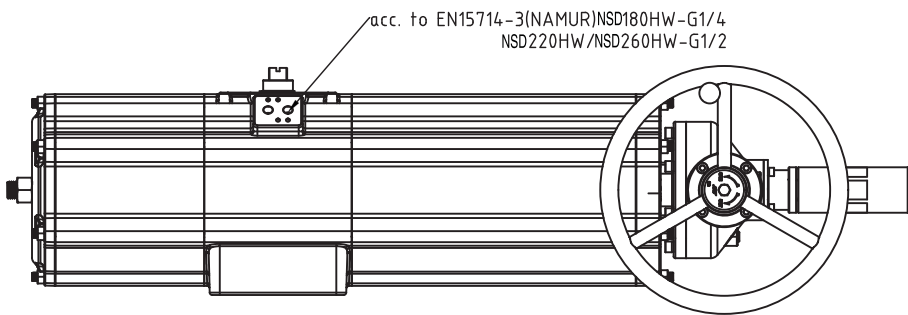
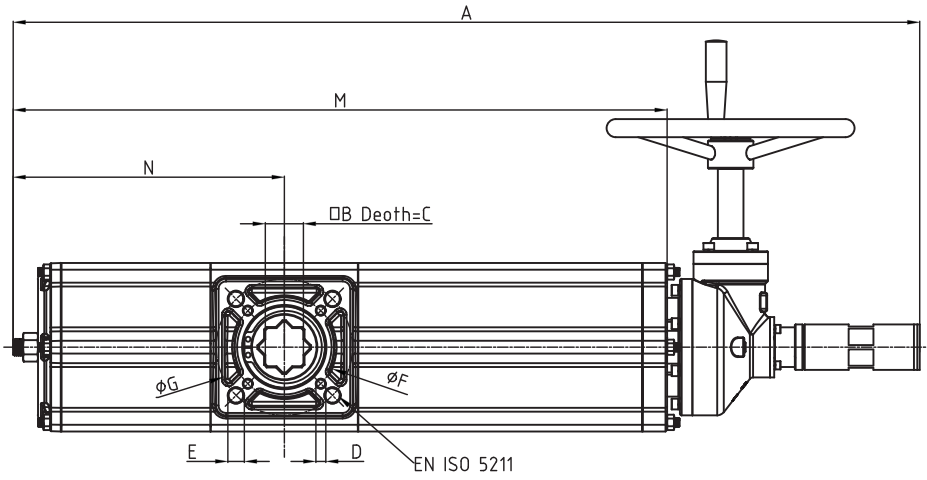
| Model   | A    | B   | ØC    | ØD   | J  | E   | F   | G   | K   | H  | I   | U  | V    | Z     | X     | Air Conn. |
|---------|------|-----|-------|------|----|-----|-----|-----|-----|----|-----|----|------|-------|-------|-----------|
| NSS-180 | 965  | 245 | Ø125  | Ø165 | 46 | 102 | 102 | 275 | 204 | 50 | 130 | 30 | 4-M5 | 4-M12 | 4-M20 | 1/4"G     |
| NSS-220 | 1199 | 284 | ----- | Ø165 | 55 | 136 | 136 | 314 | 272 | 57 | 130 | 30 | 4-M5 | 4-M12 | 4-M20 | 1/2"G     |
| NSS-260 | 1543 | 351 | ----- | Ø254 | 55 | 171 | 166 | 381 | 337 | 57 | 130 | 30 | 4-M5 | 4-M12 | 4-M20 | 1/2"G     |



Unit: mm

| Model     | A   | B  | C  | D      | E      | F   | G   | H   | I   | J   | K  | L   | M   | N  | W    |
|-----------|-----|----|----|--------|--------|-----|-----|-----|-----|-----|----|-----|-----|----|------|
| NSD-70HW  | 408 | 17 | 18 | M6*9   | M8*12  | 50  | 70  | 311 | 136 | 111 | 20 | 47  | 100 | 40 | Ø180 |
| NSD-80HW  | 495 | 17 | 22 | M6*9   | M8*12  | 50  | 70  | 357 | 148 | 128 | 20 | 56  | 108 | 46 | Ø200 |
| NSD-90HW  | 565 | 22 | 26 | M8*12  | M10*15 | 70  | 102 | 438 | 170 | 139 | 20 | 63  | 120 | 52 | Ø220 |
| NSD-100HW | 629 | 22 | 26 | M8*12  | M10*15 | 70  | 102 | 469 | 195 | 148 | 20 | 66  | 131 | 57 | Ø220 |
| NSD-125HW | 752 | 27 | 30 | M10*15 | M12*18 | 102 | 125 | 565 | 223 | 186 | 30 | 80  | 155 | 69 | Ø320 |
| NSD-140HW | 834 | 36 | 40 | M12*20 | M20*30 | 125 | 165 | 613 | 260 | 220 | 30 | 99  | 156 | 75 | Ø400 |
| NSD-160HW | 953 | 46 | 46 | M12*20 | M20*30 | 125 | 165 | 714 | 288 | 242 | 30 | 113 | 176 | 86 | Ø400 |

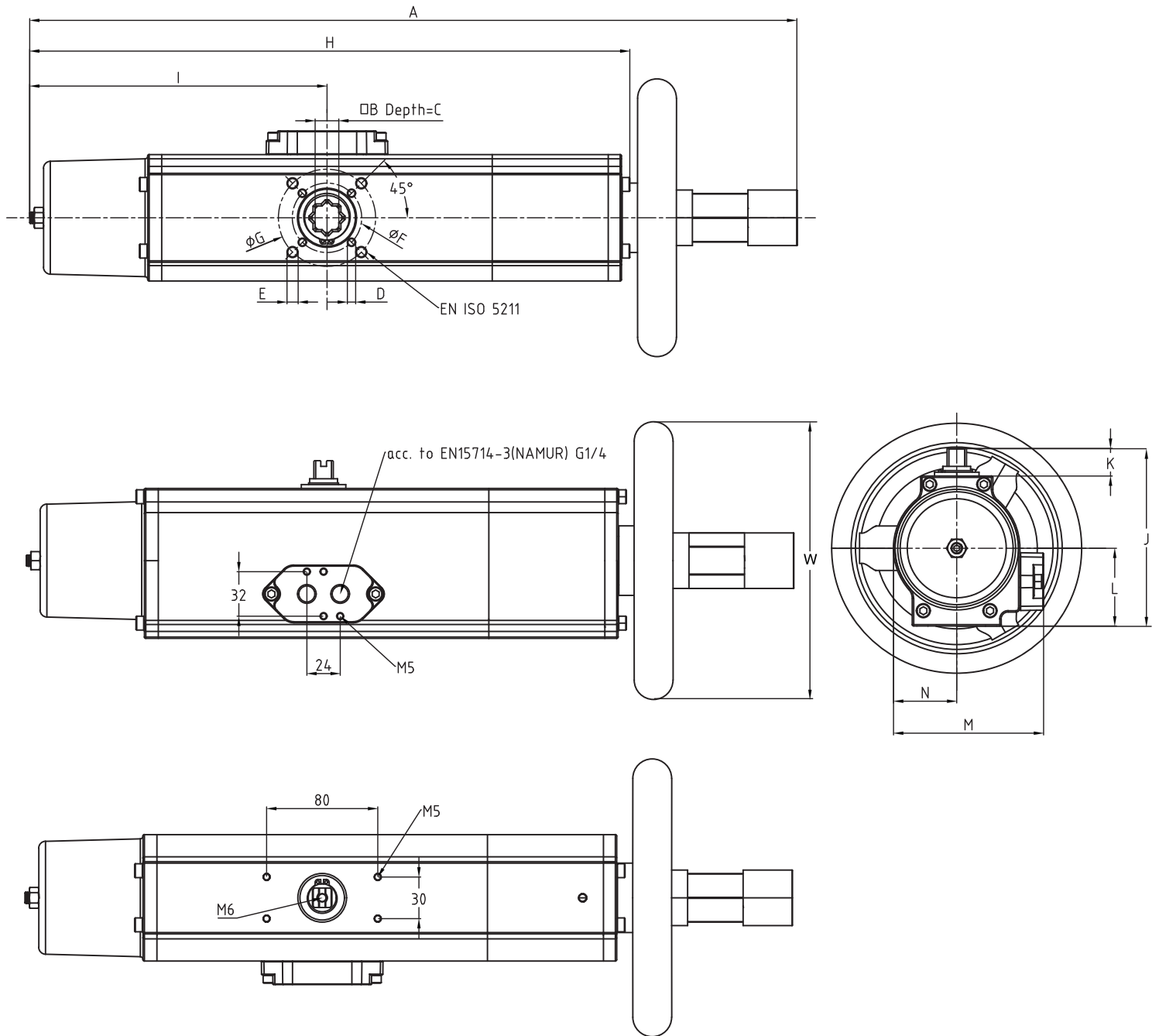
NSD-140HW & NSD-160HW, Ø140 F14(M16\*24)connection size selectable.



Unit: mm

| Model     | A    | B  | C  | D      | E      | F   | G   | H   | I   | J   | K   | L   | M    | N   | W    |
|-----------|------|----|----|--------|--------|-----|-----|-----|-----|-----|-----|-----|------|-----|------|
| NSD-180HW | 1133 | 46 | 50 | M12*18 | M20*30 | 125 | 165 | 275 | 148 | 472 | 101 | 265 | 791  | 328 | Ø300 |
| NSD-220HW | 1382 | 55 | 57 | M20*30 | ---    | 165 | --- | 314 | 171 | 526 | 142 | 271 | 973  | 397 | Ø400 |
| NSD-260HW | 1715 | 55 | 57 | M16*24 | ---    | 254 | --- | 380 | 202 | 575 | 173 | 296 | 1217 | 483 | Ø500 |

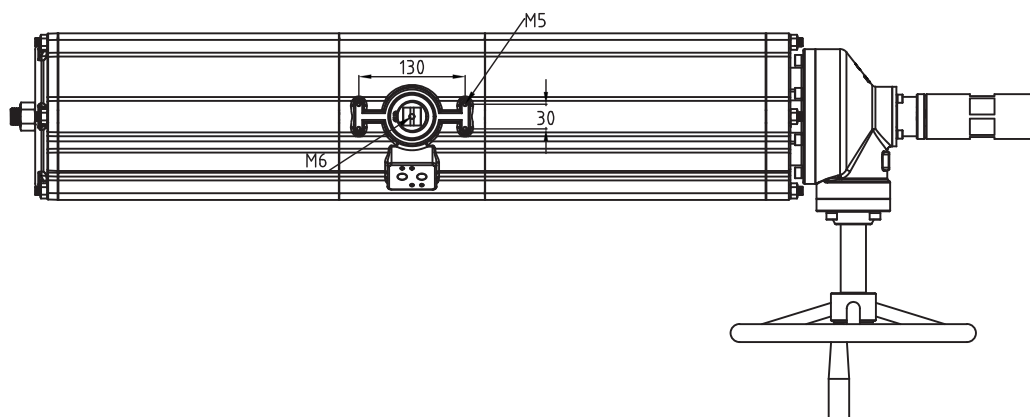
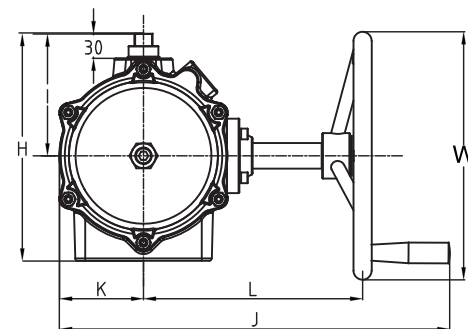
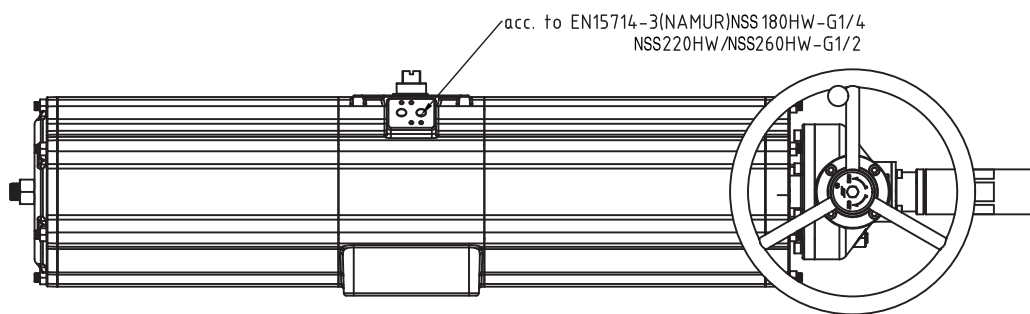
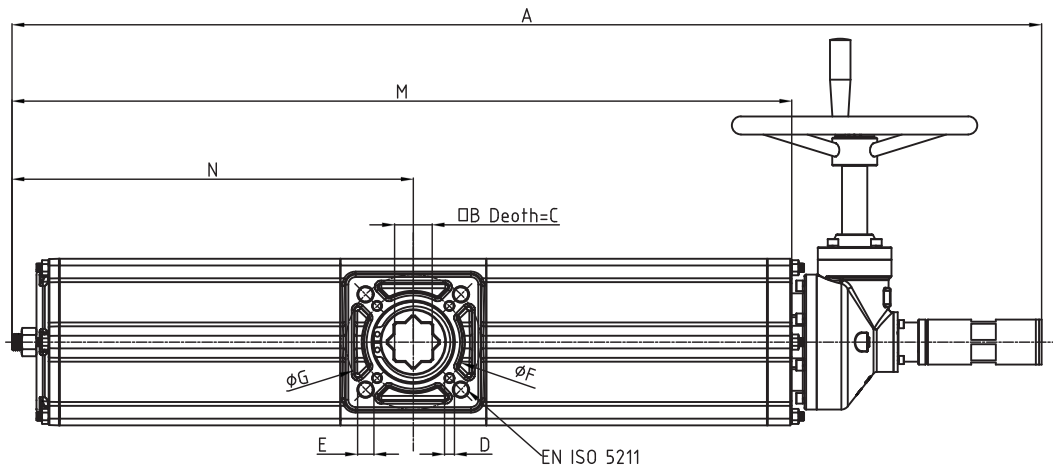
NSD-180HW,  $\phi 140$  F14(M16\*24)connection size selectable.



Unit: mm

| Model     | A    | B  | C  | D      | E      | F   | G   | H   | I   | J   | K  | L   | M   | N  | W    |
|-----------|------|----|----|--------|--------|-----|-----|-----|-----|-----|----|-----|-----|----|------|
| NSS-70HW  | 472  | 17 | 18 | M6*9   | M8*12  | 50  | 70  | 374 | 205 | 111 | 20 | 47  | 100 | 40 | Ø180 |
| NSS-80HW  | 553  | 17 | 22 | M6*9   | M8*12  | 50  | 70  | 432 | 229 | 128 | 20 | 56  | 108 | 46 | Ø200 |
| NSS-90HW  | 646  | 22 | 26 | M8*12  | M10*15 | 70  | 102 | 506 | 255 | 139 | 20 | 63  | 120 | 52 | Ø220 |
| NSS-100HW | 731  | 22 | 26 | M8*12  | M10*15 | 70  | 102 | 571 | 298 | 148 | 20 | 66  | 131 | 57 | Ø220 |
| NSS-125HW | 881  | 27 | 30 | M10*15 | M12*18 | 102 | 125 | 694 | 360 | 186 | 30 | 80  | 155 | 69 | Ø320 |
| NSS-140HW | 960  | 36 | 40 | M12*20 | M20*30 | 125 | 165 | 739 | 390 | 220 | 30 | 99  | 156 | 75 | Ø400 |
| NSS-160HW | 1108 | 46 | 46 | M12*20 | M20*30 | 125 | 165 | 874 | 440 | 242 | 30 | 113 | 176 | 86 | Ø400 |

NSS-140HW & NSS-160HW, Φ140 F14(M16\*24)connection size selectable.



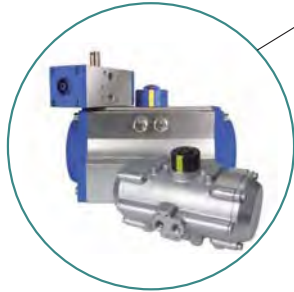
Unit: mm

| Model     | A    | B  | C  | D      | E      | F   | G   | H   | I   | J   | K   | L   | M    | N   | W    |
|-----------|------|----|----|--------|--------|-----|-----|-----|-----|-----|-----|-----|------|-----|------|
| NSS-180HW | 1270 | 46 | 50 | M12*18 | M20*30 | 125 | 165 | 275 | 148 | 472 | 101 | 265 | 944  | 481 | Ø300 |
| NSS-220HW | 1560 | 55 | 57 | M20*30 | ---    | 165 | --- | 314 | 171 | 526 | 142 | 271 | 1155 | 580 | Ø400 |
| NSS-260HW | 1982 | 55 | 57 | M16*24 | ---    | 254 | --- | 380 | 202 | 575 | 173 | 296 | 1531 | 796 | Ø500 |

NSS-180HW, Φ140 F14(M16\*24)connection size selectable.



**NUTORK CORP.** 为一专业生产,气动执行器,电动执行器,气动执行器各式配套产品(各式机械式/感应式限位开关(回讯器),离合式手动操作器,定位器,电磁阀)。



NK系列齿条齿排式气动执行器  
通过ATEX认证/SIL3认证  
最大输出扭矩: 9340Nm@6bar



NSF系列拔叉式气缸&液压缸  
通过ATEX认证/SIL3认证  
最大输出扭矩: 226195Nm@6bar



NTQ系列角行程电动执行器  
IP67/IP68(30M@24hrs)  
最大输出扭矩: 6000Nm  
通过SIL3/IP68/MD/LVD/EMC认证



NTE系列角行程电动执行器  
IP67/IP68(30M@24hrs)  
最大输出扭矩: 6000Nm



限位开关(专利设计)  
IP67/68(50M@72hrs)  
防护等级: EExdIIBT6(ATEX认证)  
EExdIICT6(ATEX认证)



电磁阀 3/2常闭&5/2位,  
O型圈静态密封设计  
铝合金&316SS阀体  
IP67/EExdIICT6(ATEX认证)



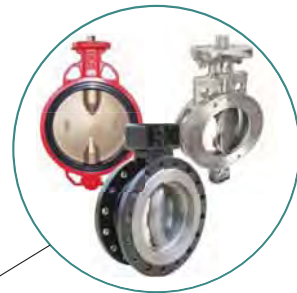
空气过滤调压阀/气控阀  
铝合金镀乙烯涂装&316SS材质  
气源接口: 1/4"~1"



离合式手轮操作器  
铝合金&铸铁&球磨铸铁本体  
最大输出扭矩: 70000Nm



球阀(浮动球结构), 可提供不同压力等级,连接类型及操作方式



中心线型软密封蝶阀/高性能双偏心蝶阀/高性能三偏心硬密封蝶阀  
可提供不同压力等级,连接类型及操作方式